



C.P.I.

C.P.I. Bathrooms - the ultimate destination for high quality and best value bathroom products.

PINO GREY VANITY & WASHBASIN SET 60CM



HILL WALL HUNG WC PAN + SLOW CLOSE DUROPLAST TOILET SEAT & HILL BIDET PAN



BRASS BATHROOM ACCESSORIES



NEW

PINO

Washbasin + Unit

60 cm | Matt Grey
60 cm | Glossy White
60 cm | Textured Oak
60 cm | Textured Walnut

HILL

WC Pan + Duroplast Seat Cover

Wall Hung Wc Pan & Soft Close Seat Cover

HILL BUNDLE

Frame Concealed Cistern + WC Pan + Duroplast Seat Cover



+





We are specialized in providing high quality bathroom products. We are a wholesaler company and committed to give best price and quality ratio to our customer. We have one foot in the production and established an extra quality control measures to ensure that every item we sell meets our high standards. Whether it's toilets, furniture or accessories we inspect each product carefully before shipping it to you. We also test our products for durability, functionality, and safety. You can trust us to deliver bathroom products that will last for years.



PINO PACK 60CM WALL HUNG WASHBASIN & UNIT

- Edged Ceramic Washbasin
- 2 Soft Close Doors
- 18mm MDF Vanity
- Antibacterial Certified Ceramic Washbasin
- 80.000 opening tested
- Conforms EN14688+A1
- FSC/EN622/E1certifiedMDF
- EN 15570 Certified Door Hinges
- Grab&go type packing
- Easy Installation / Preassembled
- Mirror Cabinet & Tall cabinet options are available



1.

GLOSS WHITE
SKU : FC-L1PN060C17S



2.

MATT GREY
SKU : FC-L1PN060C08S



3.

ANTIQUE OAK
SKU : FC-L1PN060C01S



4.

ANTIQUE WALNUT
SKU : FC-L1PN060C02S



1. GLOSS WHITE

60cm Washbasin
+
60cm Washbasin
Unit

2. MATT GREY

60cm Washbasin
+
60cm Washbasin
Unit

3. ANTIQUE OAK

60cm Washbasin
+
60cm Washbasin
Unit

4. ANTIQUE WALNUT

60cm Washbasin
+
60cm Washbasin
Unit

DUET PACK 60CM WALL HUNG WASHBASIN & UNIT

- Edged Ceramic Washbasin
- 2 Soft Close Drawers
- 18mm MDF Vanity
- Antibacterial Certified Ceramic Washbasin
- 80.000 opening tested
- Conforms EN14688+A1
- FSC/EN622/E1certifiedMDF
- EN 15570 Certified Door Hinges
- Grab&go type packing
- Easy Installation / Preassembled
- Mirror Cabinet & Tall cabinet options are available



1.

GLOSS WHITE
SKU : FFC-DT060WV01



2.

MATT GREY
SKU : FC-DT060GV01



3.

ANTIQUE OAK
SKU : FC-DT060OV01



4.

DARK BLUE
SKU : FC-DT060BV01



1. GLOSS WHITE

60cm Washbasin
+
60cm Washbasin
Unit

2. MATT GREY

60cm Washbasin
+
60cm Washbasin
Unit

3. ANTIQUE OAK

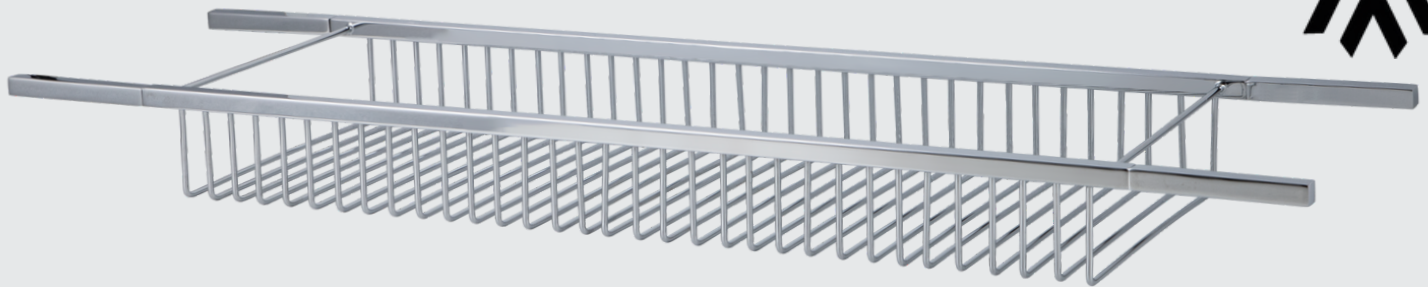
60cm Washbasin
+
60cm Washbasin
Unit

4. DARK BLUE

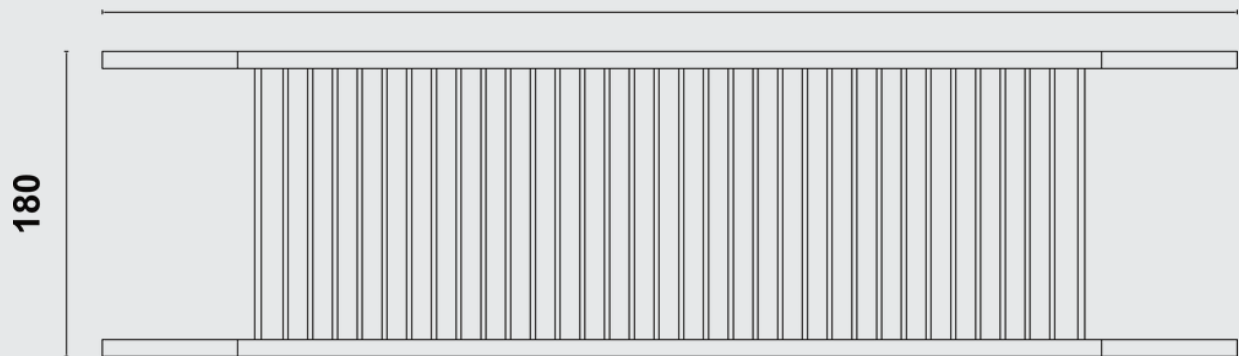
60cm Washbasin
+
60cm Washbasin
Unit

Adjustable Bathtub Bridge & Shampoo Holder

- Made from the finest brass raw material and coated with a 15 micron thick bright chrome plating for long-lasting durability



670



180

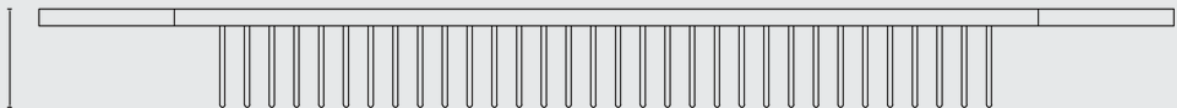
EXTENDABLE



EXTENDABLE



58



100% SOLID BRASS

Adjustable Bathtub Bridge,
Shampoo Holder

SKU: 0125-323C

PRO Universal Collection

- Made from the finest brass raw material and coated with a 15 micron thick bright chrome plating for long-lasting durability



Covered Paper Holder

SKU: R10-0070X



Paper Holder

SKU: R10-0110X



Soap Dish

SKU: R10-0030X



Tumbler

SKU: R10-0040X



Soap Holder

SKU: R10-0170X



Double Hook

SKU: R10-0020X



Towel Ring

SKU: R10-0080X



Towel Rail

SKU: R10-0060X



PRO Universal Collection

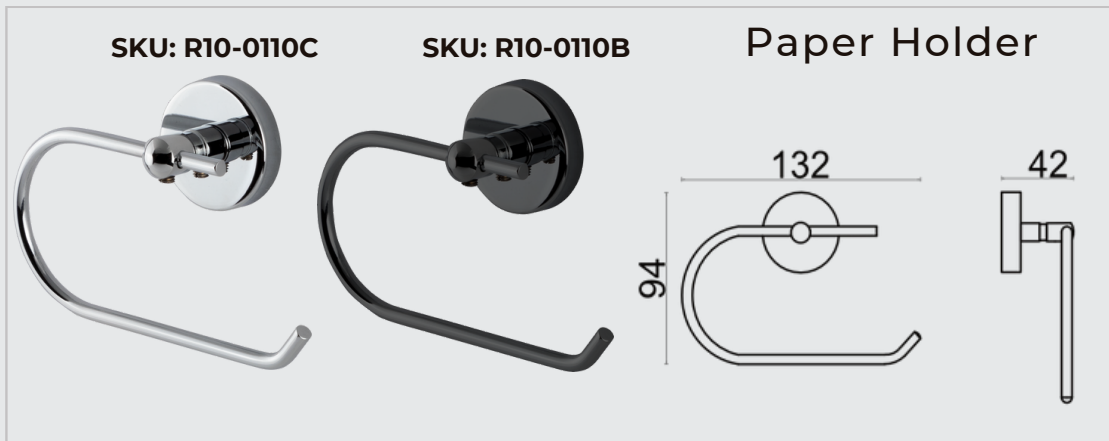
1.

COVERED
PAPER HOLDER



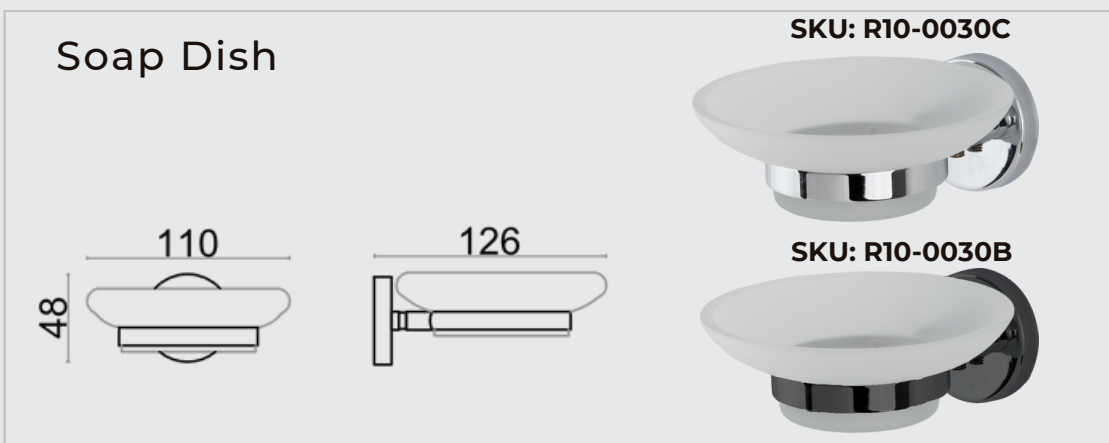
2.

PAPER HOLDER



3.

SOAP DISH



1. COVERED PAPER HOLDER

CHROME
MATT BLACK

2. PAPER HOLDER

CHROME
MATT BLACK

3. SOAP DISH

CHROME
MATT BLACK

PRO Universal Collection

4.

TUMBLER

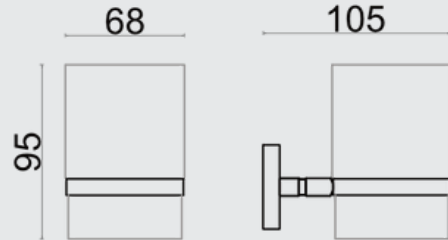
SKU: R10-0040C



SKU: R10-0040B



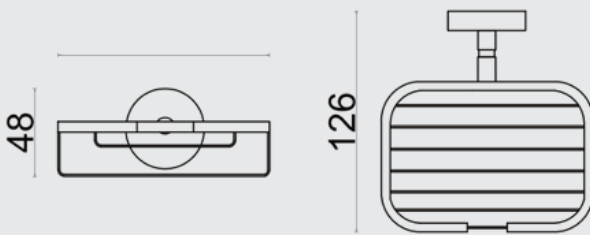
Tumbler



5.

SOAP HOLDER

Soap Holder



SKU: R10-0170C



SKU: R10-0170B



6.

DOUBLE HOOK

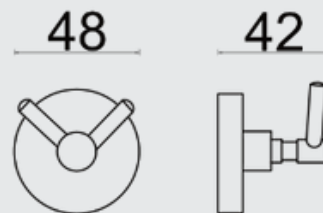
SKU: R10-0020C



SKU: R10-0020B



Double Hook



4. TUMBLER

CHROME
MATT BLACK

5. SOAP HOLDER

CHROME
MATT BLACK

6. DOUBLE HOOK

CHROME
MATT BLACK

PRO Universal Collection

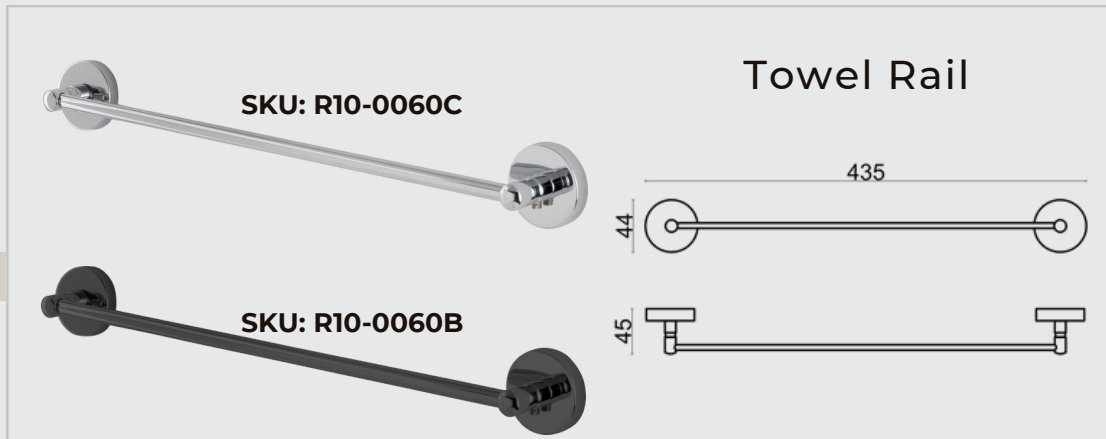
7.

TOWEL RING



8.

TOWEL RAIL



7. TOWEL RING

CHROME
MATT BLACK

8. TOWEL RAIL

CHROME
MATT BLACK

TONY Collection

- Made from the finest brass raw material and coated with a 15 micron thick bright chrome plating for long-lasting durability



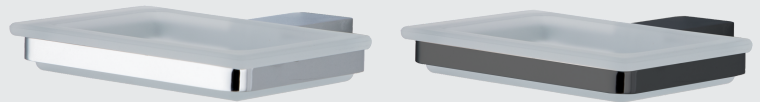
Paper Holder

SKU: S10-0070X



Soap Dish

SKU: S10-0160X



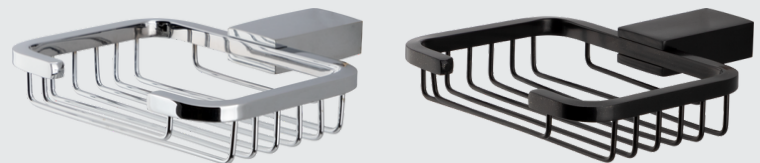
Tumbler

SKU: S10-0040X



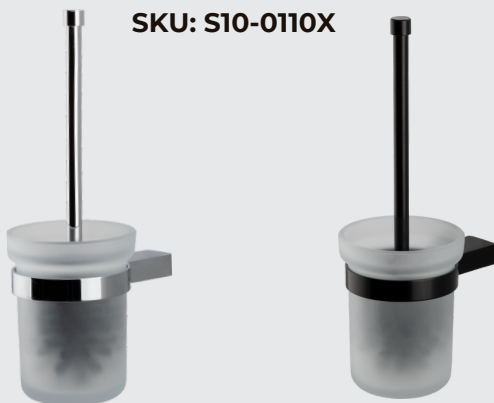
Soap Holder

SKU: S10-0160X



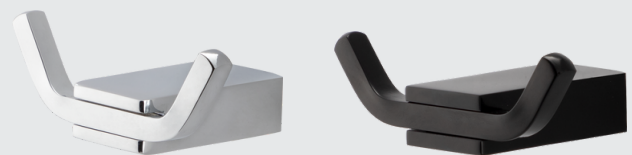
Toilet Brush & Holder

SKU: S10-0110X



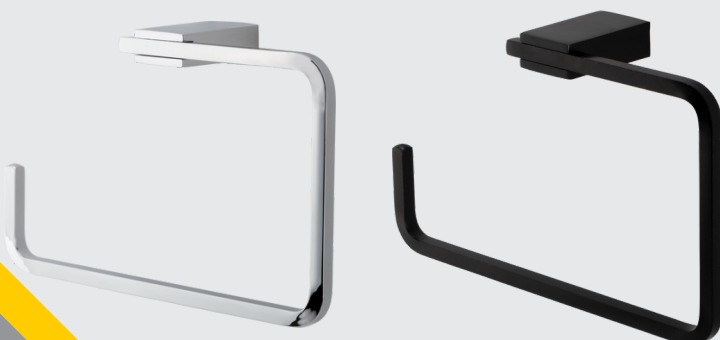
Double Hook

SKU: S10-0020X



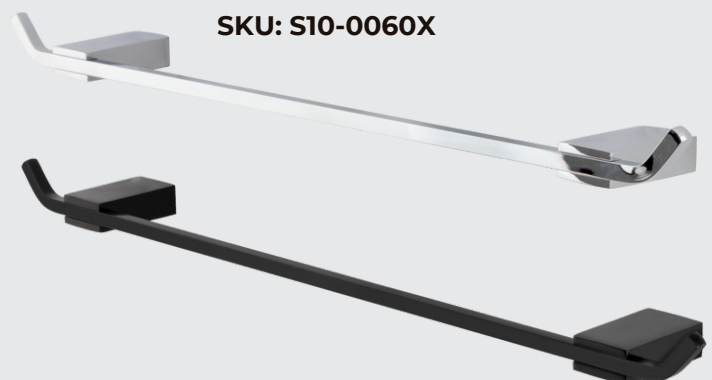
Towel Ring

SKU: S10-0080X



Towel Rail

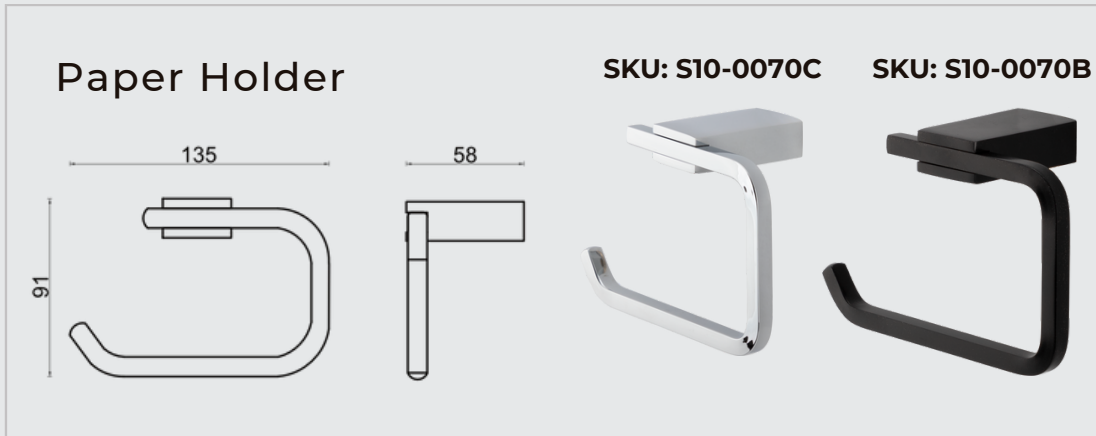
SKU: S10-0060X



TONY Collection

1.

PAPER HOLDER



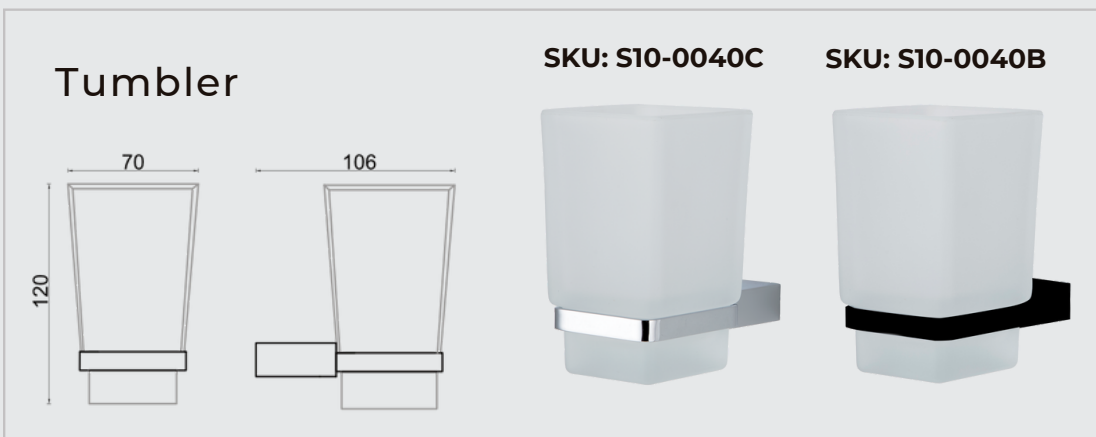
2.

SOAP DISH



3.

TUMBLER



1. PAPER HOLDER

CHROME
MATT BLACK

2. SOAP DISH

CHROME
MATT BLACK

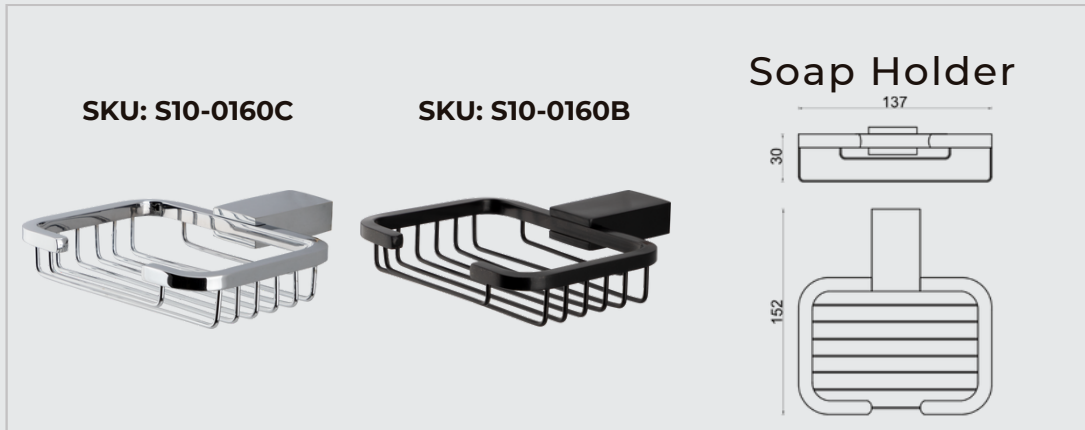
3. TUMBLER

CHROME
MATT BLACK

TONY Collection

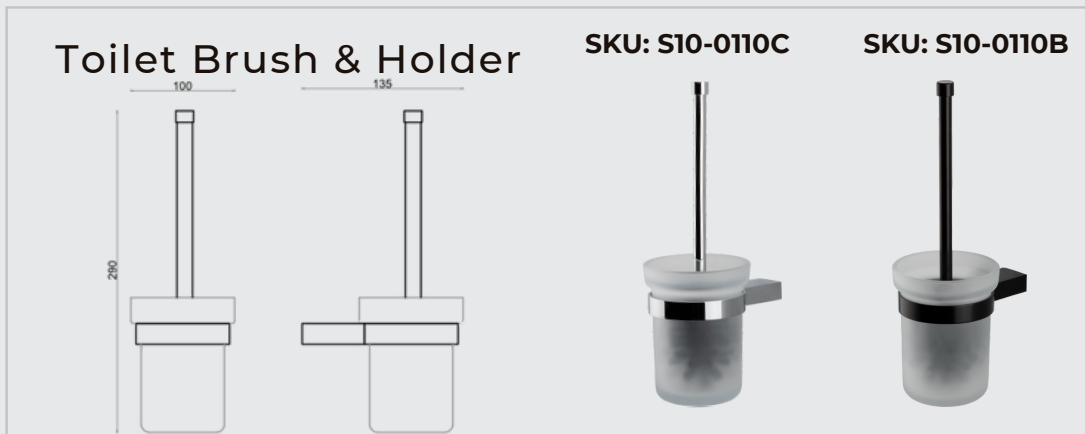
4.

SOAP HOLDER



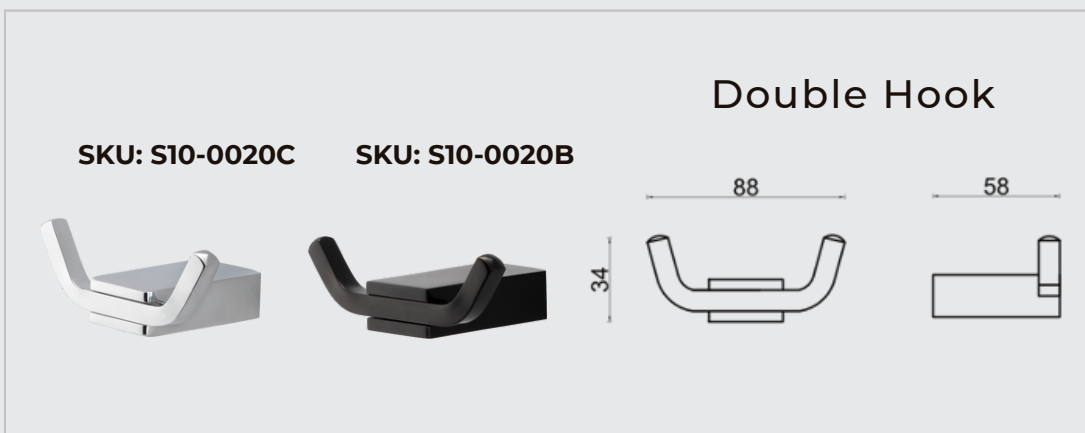
5.

TOILET BRUSH & HOLDER



6.

DOUBLE HOOK



4. SOAP HOLDER

CHROME
MATT BLACK

5. TOILET BRUSH & HOLDER

CHROME
MATT BLACK

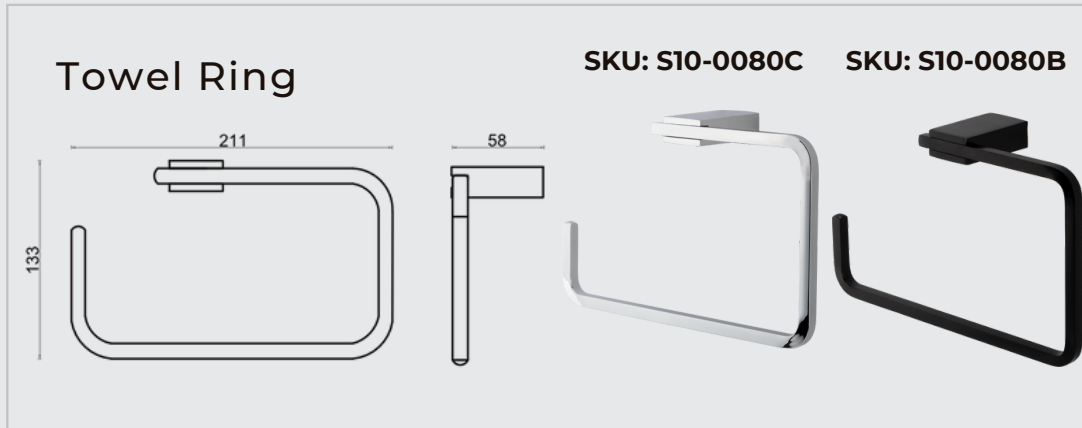
6. DOUBLE HOOK

CHROME
MATT BLACK

TONY Collection

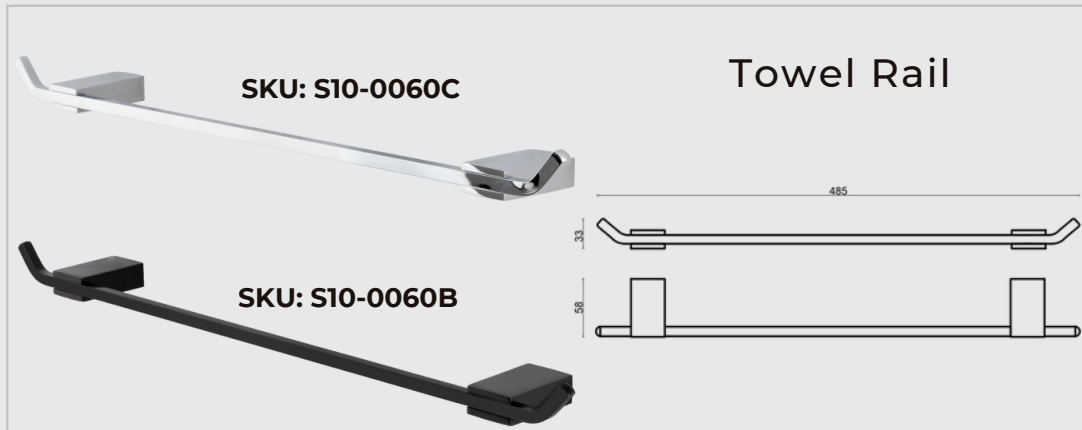
7.

TOWEL RING



8.

TOWEL RAIL



7. TOWEL RING

CHROME
MATT BLACK

8. TOWEL RAIL

CHROME
MATT BLACK

Traditional Collection

- Made from the finest brass raw material and coated with a 15 micron thick bright chrome plating for long-lasting durability



Covered Paper Holder

SKU: T10-0070X



Paper Holder

SKU: T10-0090X



Tumbler

SKU: T10-0040X



Soap Dish

SKU: T10-0030X



Toilet Brush & Holder

SKU: T10-0110X



Double Hook

SKU: T10-0020X



Towel Ring

SKU: T10-0080X



Towel Rail

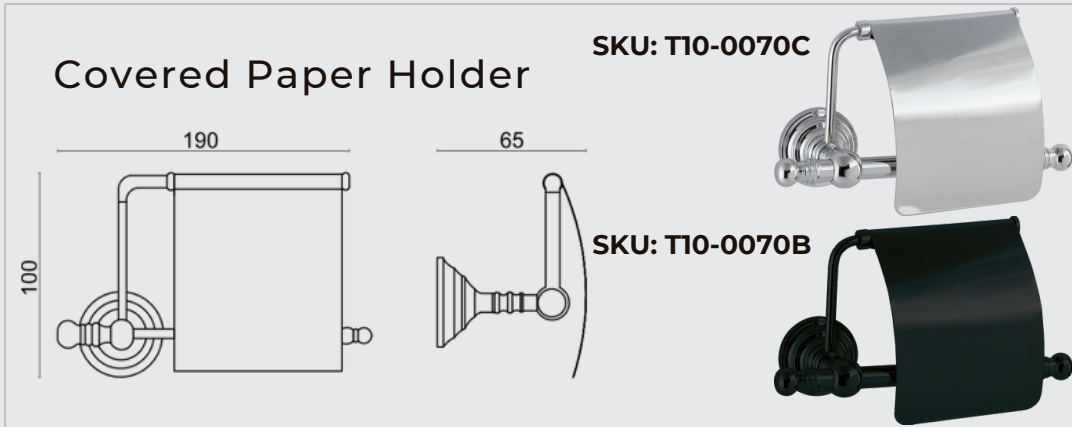
SKU: T10-0060X



Traditional Collection

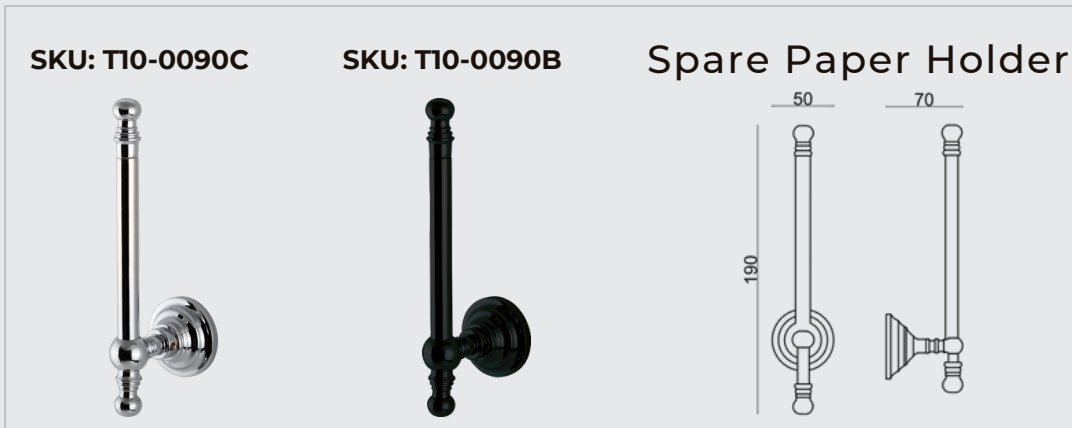
1.

COVERED
PAPER HOLDER



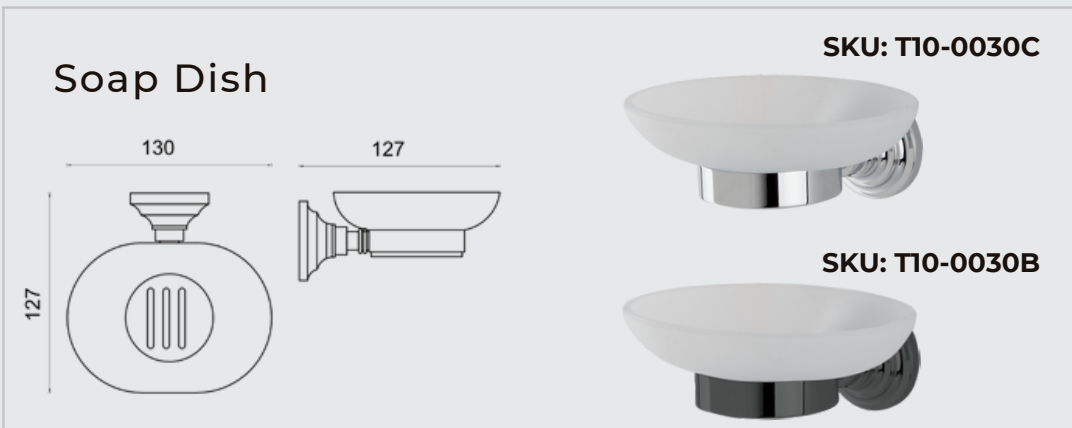
2.

SPARE PAPER
HOLDER



3.

SOAP DISH



1. COVERED PAPER HOLDER

CHROME
MATT BLACK

2. SPARE PAPER HOLDER

CHROME
MATT BLACK

3. SOAP DISH

CHROME
MATT BLACK

Traditional Collection

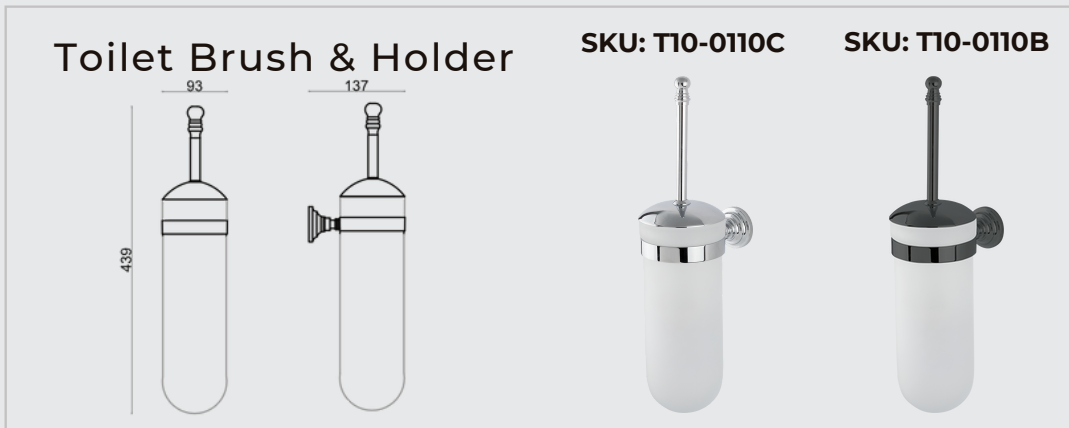
4.

TUMBLER



5.

TOILET BRUSH & HOLDER



6.

DOUBLE HOOK



4. TUMBLER

CHROME
MATT BLACK

5. TOILET BRUSH & HOLDER

CHROME
MATT BLACK

6. DOUBLE HOOK

CHROME
MATT BLACK

Traditional Collection

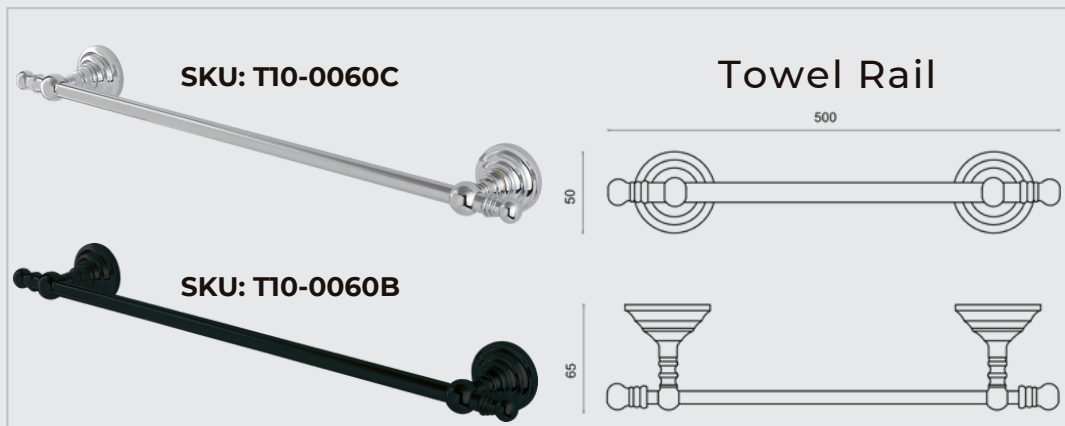
7.

TOWEL RING



8.

TOWEL RAIL

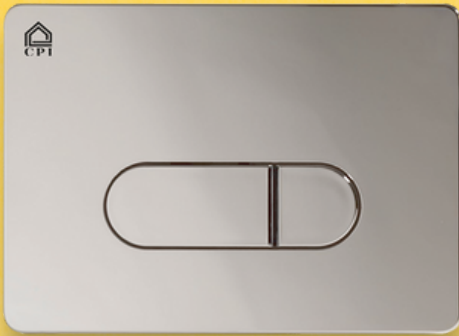
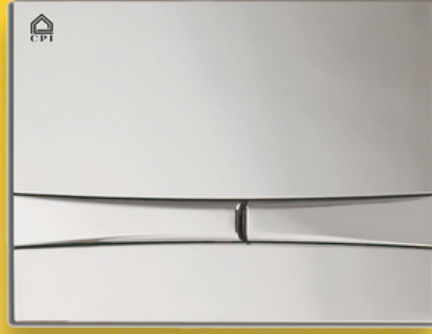


7. TOWEL RING

CHROME
MATT BLACK

8. TOWEL RAIL

CHROME
MATT BLACK



Builder Performance Packs



VOLCANO BUNDLE

- Rimless 530mm Short Projection Wall Hung Pan
- Duroplast, Slim, Easy take-off Seat Cover
- Antibacterial Certified for Preventing 99.9% of Bacterial Growth
- 400kg Durable Frame
- Conforms EN997 / EN14055
- Chrome Push Plate options are available



FRAMED
CONCEALED CISTERN

+

BRIGHT CHROME
PUSH PLATE

+

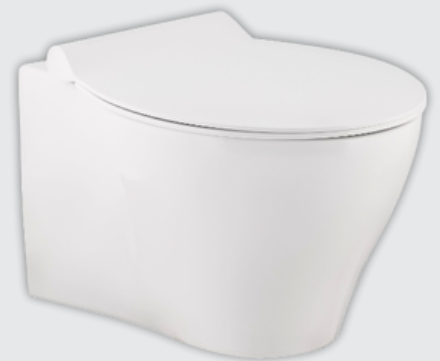
WALL HUNG - RIMLESS
WC PAN



+



+



VOLCANO BUNDLE

SKU: VS12-001VB

Concealed Cistern
+
Bright Chrome Push Plate
+
Rimless Wall Hung WC
Pan
+
Duroplast, Slow Close
Seat Cover



MIXED BUNDLE

- Rimless 530mm Short Projection Wall Hung Pan
- Duroplast, Slim, Easy take-off Seat Cover
- Antibacterial Certified for Preventing 99.9% of Bacterial Growth
- 400kg Durable Frame
- Conforms EN997 / EN14055
- Chrome Push Plate options are available



1.

SKU: VS12-001NB

NEON RIMLESS BUNDLE



2.

SKU: VS12-001HB

HILL RIMLESS BUNDLE



3.

SKU: VS12-001SB

SATURN RIMLESS BUNDLE



1. NEON

Concealed Cistern
+
Bright Chrome Push Plate
+
Rimless Wall Hung WC Pan
+
Duroplast, Slow Close Seat Cover

2. HILL

Concealed Cistern
+
Bright Chrome Push Plate
+
Rimless Wall Hung WC Pan
+
Duroplast, Slow Close Seat Cover

3. SATURN

Concealed Cistern
+
Bright Chrome Push Plate
+
Rimless Wall Hung WC Pan
+
Duroplast, Slow Close Seat Cover

MIXED BUNDLE

- Rimless 530mm Short Projection Wall Hung Pan
- Duroplast, Slim, Easy take-off Seat Cover
- Antibacterial Certified for Preventing 99.9% of Bacterial Growth
- 400kg Durable Frame
- Conforms EN997 / EN14055
- Chrome Push Plate options are available



4.

SKU: VS12-001PB

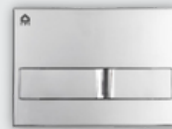
PETITE RIMLESS
BUNDLE



5.

SKU: VS12-001OB

OCEAN PLUS
BUNDLE



4. PETITE

Concealed Cistern
+
Bright Chrome
Push Plate
+
Rimless Wall Hung
WC Pan
+
Duroplast, Slow
Close Seat Cover

5. OCEAN PLUS

Concealed Cistern
+
Bright Chrome
Push Plate
+
Rimless Wall Hung
WC Pan
+
Duroplast, Slow
Close Seat Cover

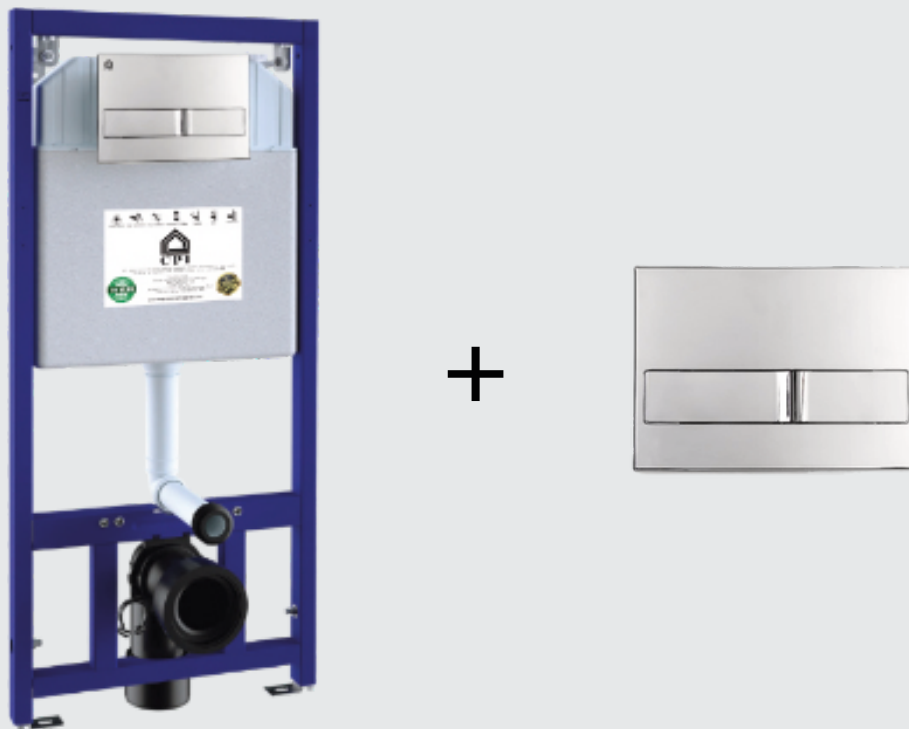
CONCEALED CISTERN & PUSH PLATE

- 400kg Durable Frame for Concealed Cisterns & Bidet Frames
- 150kg Durable Frame for Washbasin Frames
- Conforms EN14055



1.

FRAMED
CONCEALED CISTERN



1. FRAME

SKU: VS12-001

Concealed Cistern

+

Bright Chrome Push Plate

CLOSE COUPLED WC PAN

- Close Coupled Back to Wall WC Pan
- Antibacterial Certified for Preventing 99.9% of Bacterial Growth
- Geberit Dual Flush Mechanism
- Slim, Duroplast, Slow Close & Easy take-off Toilet Seat
- Conforms EN997



**Geberit
Dual Flush
Mechanism**

VOLCANO CLOSE COUPLED WC PAN

SKU: SC-021002S

Close Coupled WC Pan
+
Cistern
+
Geberit Dual Flush Mechanism
+
Duroplast, Slow Close Seat Cover



Our specialty is catering to building merchant companies, but we also offer a variety of furniture models. Here are some examples and feel free to visit our website for more options

www.cpi Bathrooms.co.uk



BOLD 55CM WALL HUNG WASHBASIN & UNIT

- 2 Soft Close Drawers (With anti-slip drawer sheet) 18mm MDF Vanity - Glossy Lacquer
- Antibacterial Certified Semi-Recessed Ceramic Washbasin Conforms EN14688+A1
- Easy Installation / Preassembled
- Mirror Cabinet & Tall cabinet options are available

1.

GLOSS WHITE
SKU : FC-L1BL055C02S



2.

GLOSS MINK
SKU : FC-L1BL055C01S



3.

GLOSS GREY
SKU : FC-L1BL055C06S



4.

GLOSS BURGUNDY
SKU : FC-L1PN060C04S



1. GLOSS WHITE

55cm Washbasin
+
55cm Washbasin
Unit

2. GLOSS MINK

55cm Washbasin
+
55cm Washbasin
Unit

3. GLOSS GREY

55cm Washbasin
+
55cm Washbasin
Unit

4. GLOSS BURGUNDY

55cm Washbasin
+
55cm Washbasin
Unit



The Sapphire 1200mm 2 drawers standing washbasin cabinet & countertop washbasin has an innovative porcelain countertop which allows you to match your bathroom tiles with the countertop of the cabinet. offers a sleek and elegant design with plenty of under sink storage, ideal for keeping your essentials organized. The vanity unit is made from high quality 18mm MDF, durable materials in a matt finish.



SAPPHIRE 120CM WASHBASIN CABINET & WASHBASIN



- 2 Soft Close Drawers (With anti-slip drawer sheet) 18mm MDF Vanity - Matt Lacquer
- Innovation with matching tile availability and porcelain countertop
- Porcelain Countertop with Countertop Ceramic Washbasin Conforms EN14688+A1
- Easy Installation / Preassembled
- Illuminated Mirror & Tall cabinet options are available

1.

MOCHA
SKU : FC-L1SP120C04S



2.

GREY
SKU : FC-L1SP120C14S



3.

CAMEL
SKU : FC-L1SP120C08S



4.

WHITE
SKU : FC-L1SP120C01S



1. MOCHA

120cm Washbasin Cabinet
+ Porcelain Countertop
+ Countertop Washbasin

2. GREY

120cm Washbasin Cabinet
+ Porcelain Countertop
+ Countertop Washbasin

3. CAMEL

120cm Washbasin Cabinet
+ Porcelain Countertop
+ Countertop Washbasin

4. WHITE

120cm Washbasin Cabinet
+ Porcelain Countertop
+ Countertop Washbasin



C.P.I.

Bathrooms Wholesale



For your orders, please contact
your local branch



COMPASS POINT INTERIORS LTD.

www.cpi Bathrooms.co.uk
info@cpi Bathrooms.co.uk